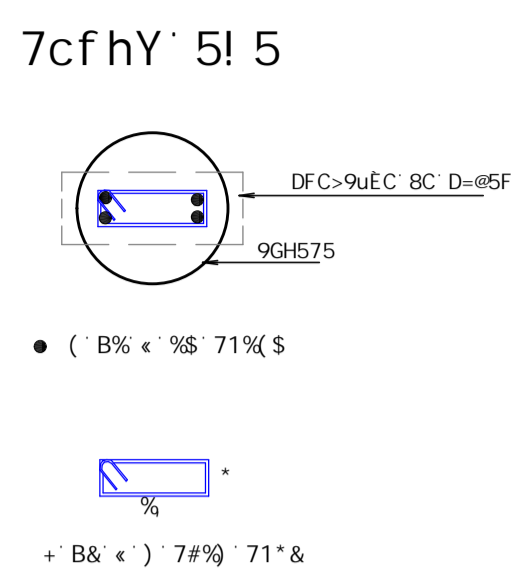
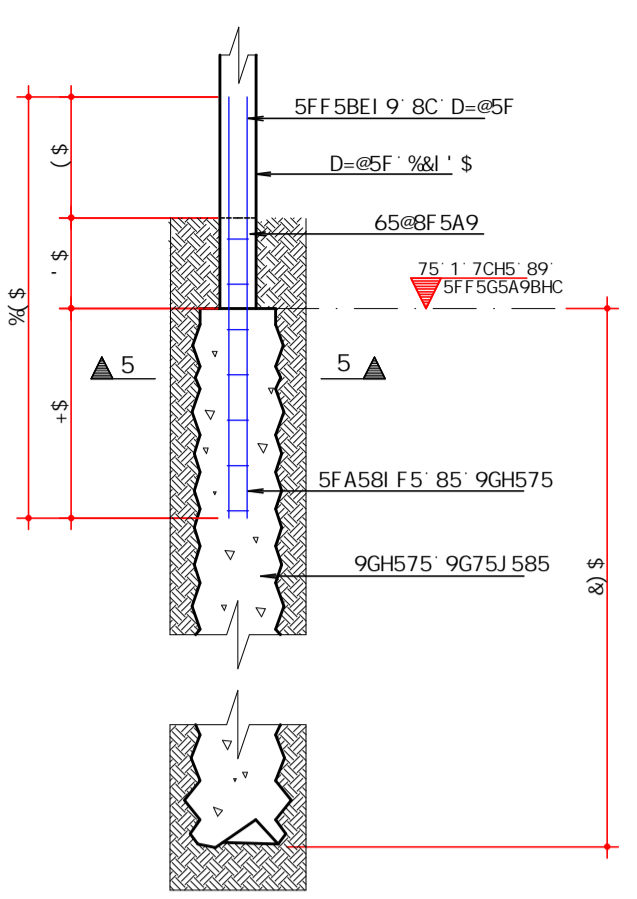
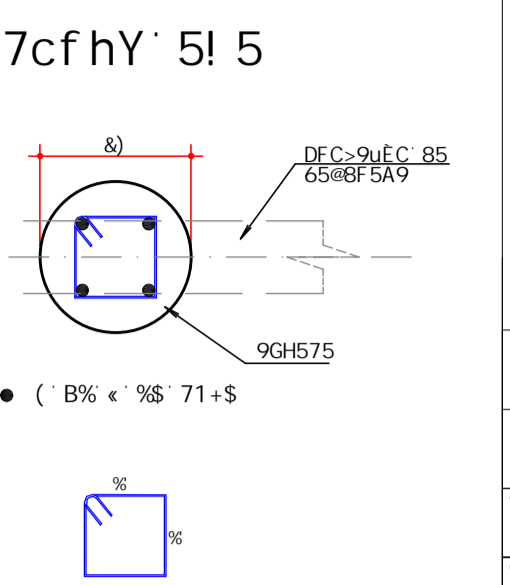
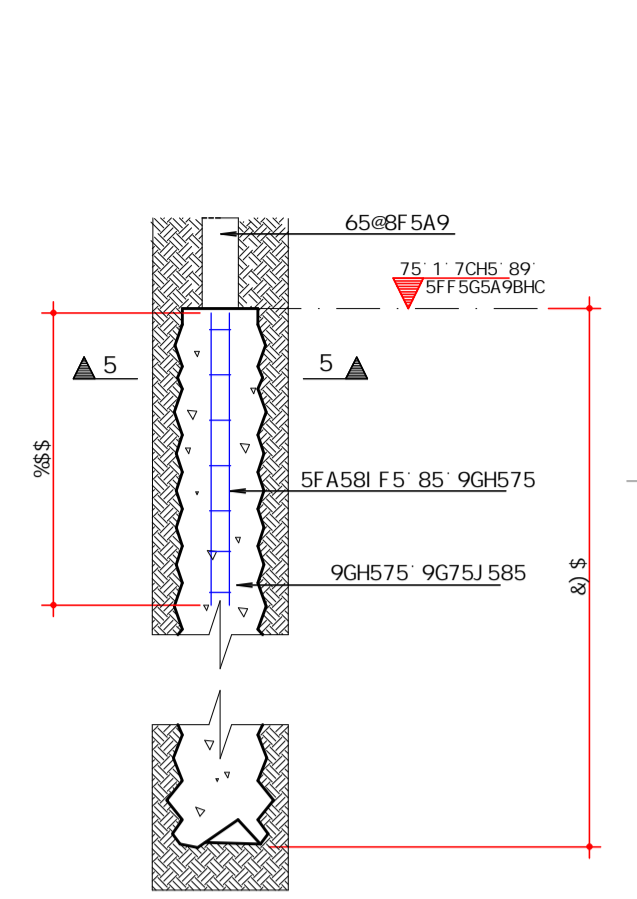


89H5@<9 89' 9GH575' \$%
D# D=@5F 89' 1% fil *L
G9A 9G75#5



89H5@<9 89' 9GH575' \$&
D# D=@5F 89' %&I ' \$ fil %&L
G9A 9G75#5

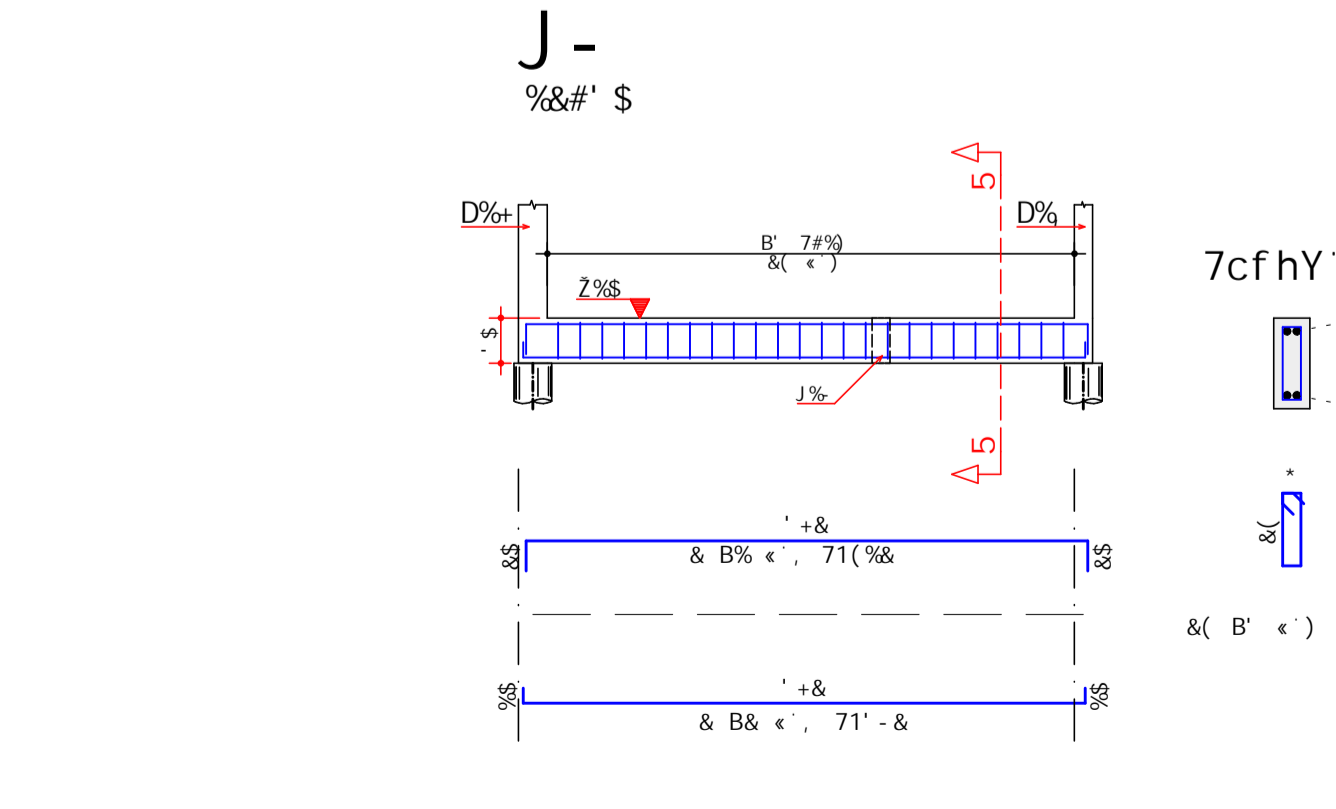
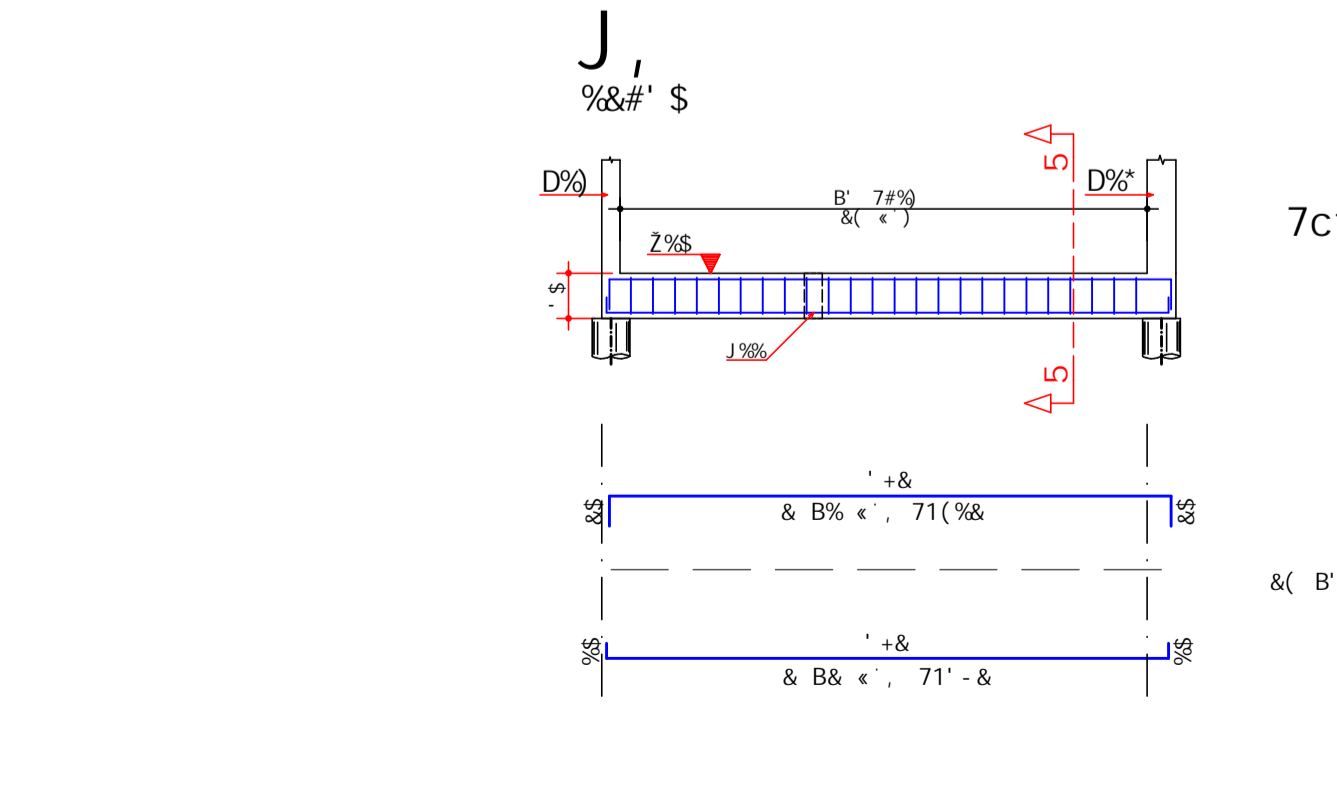
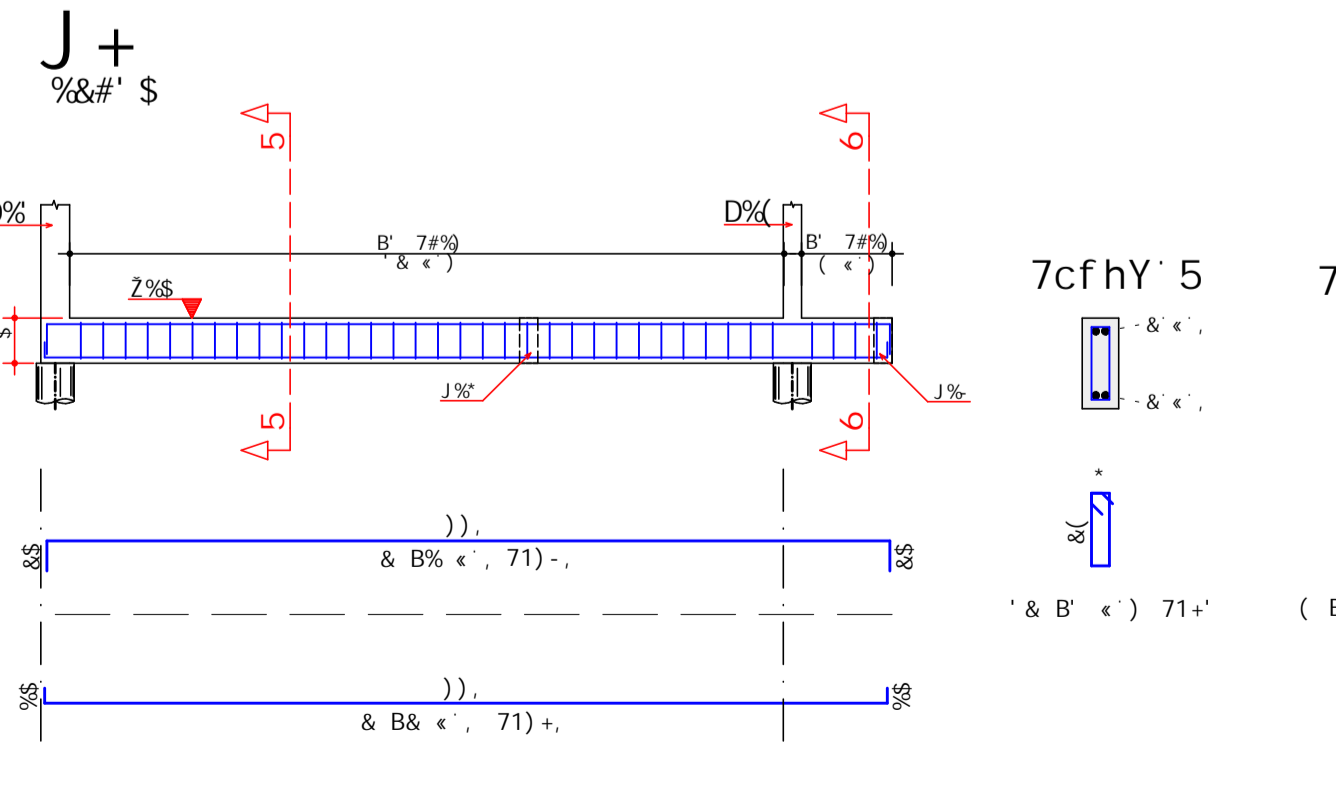
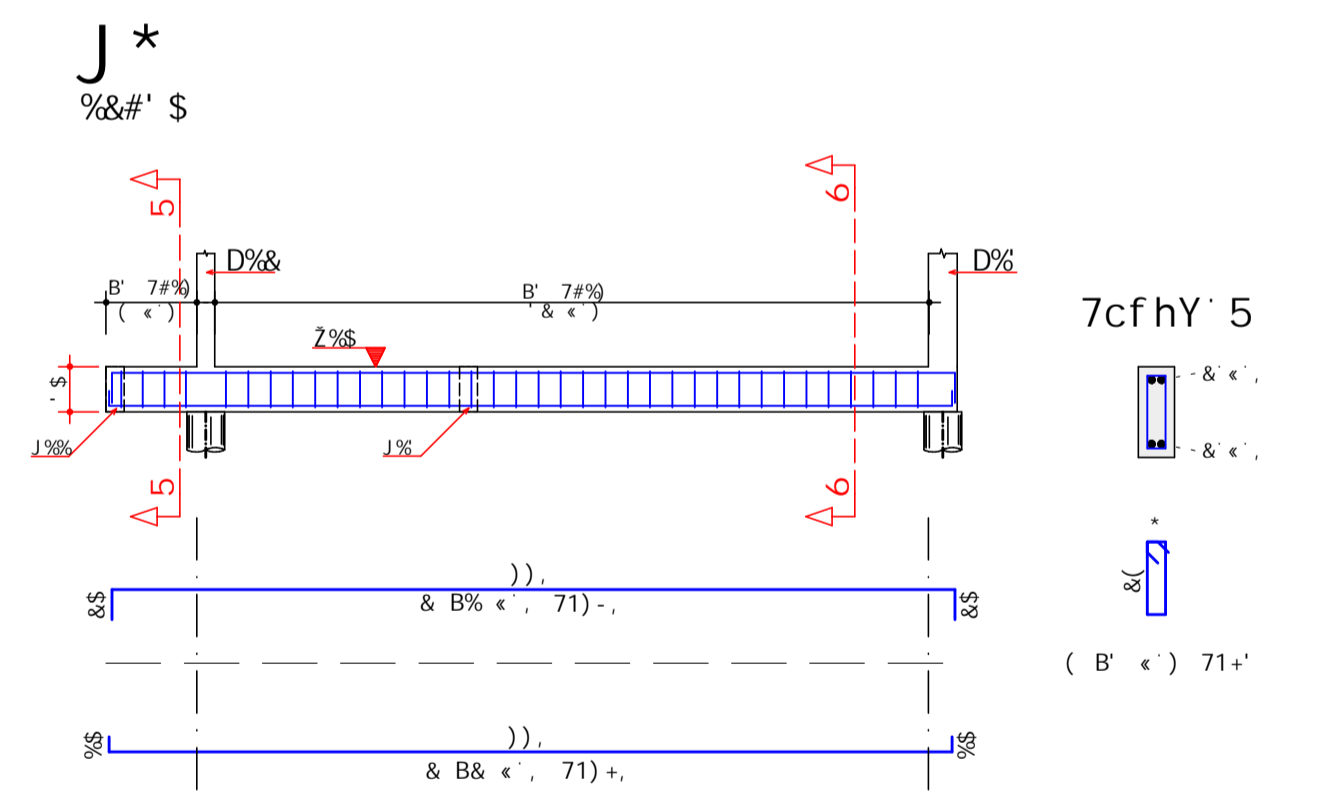
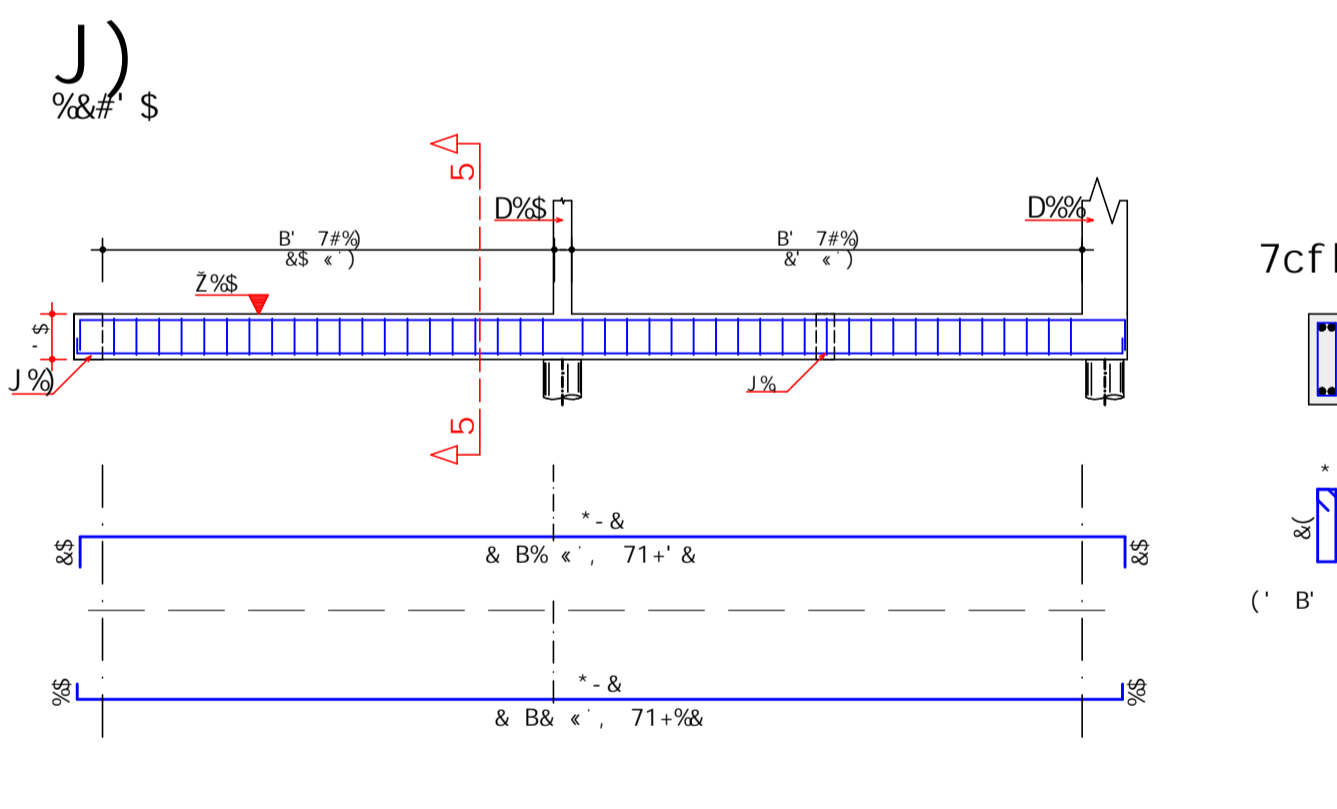
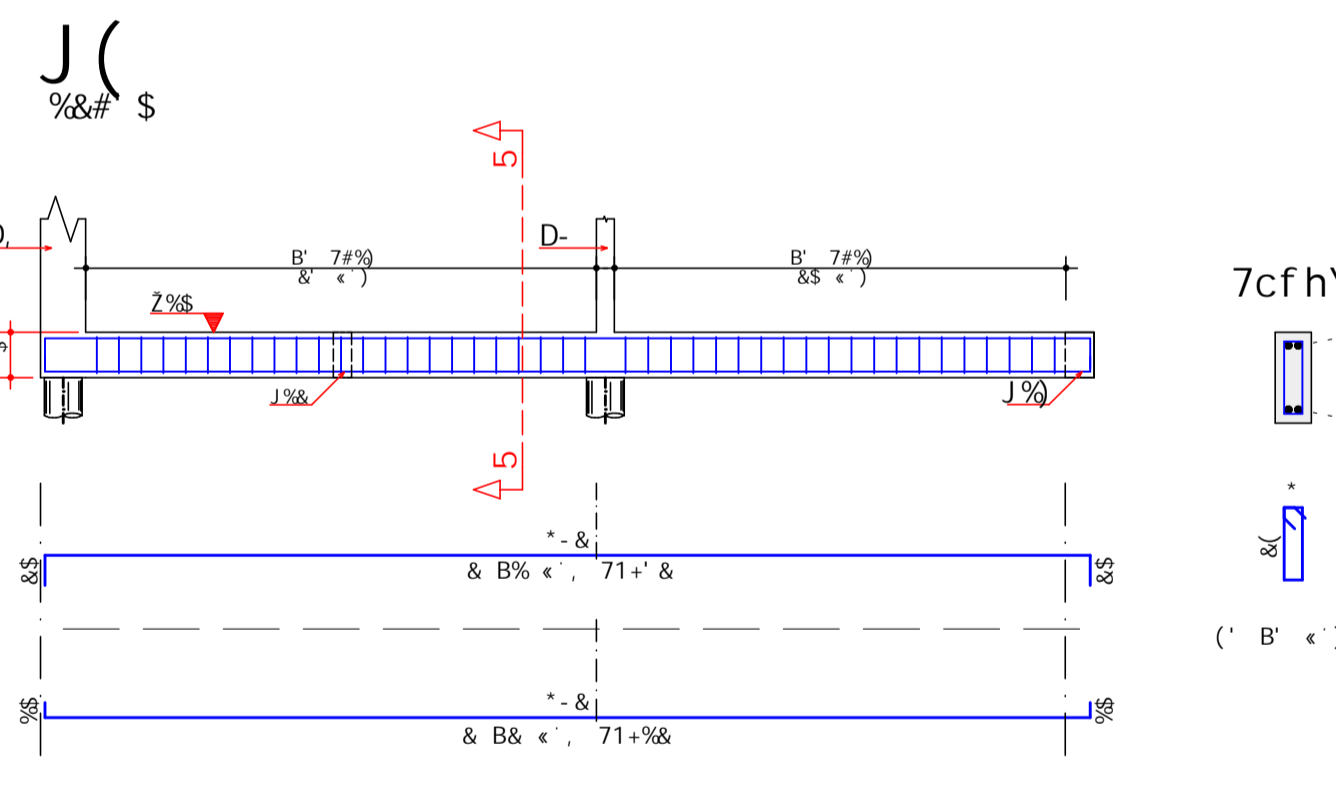
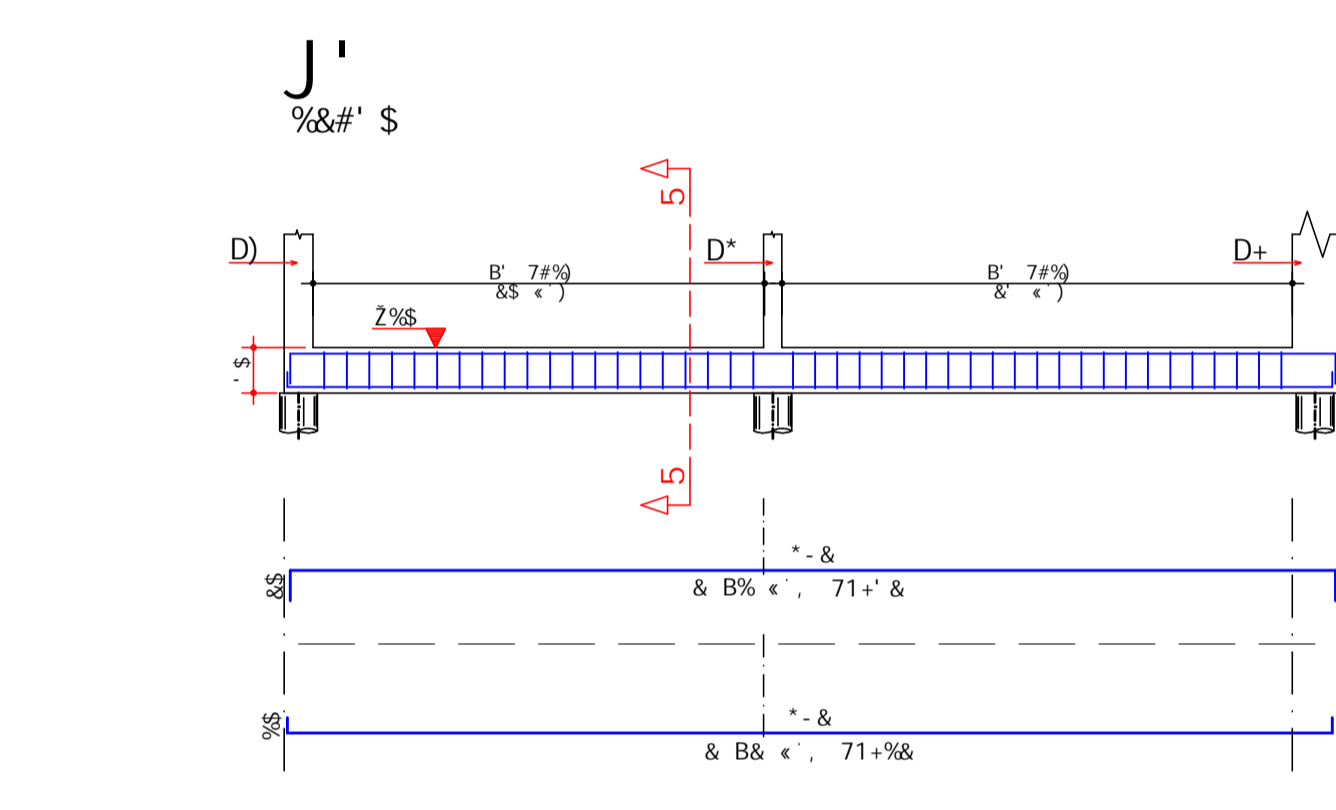
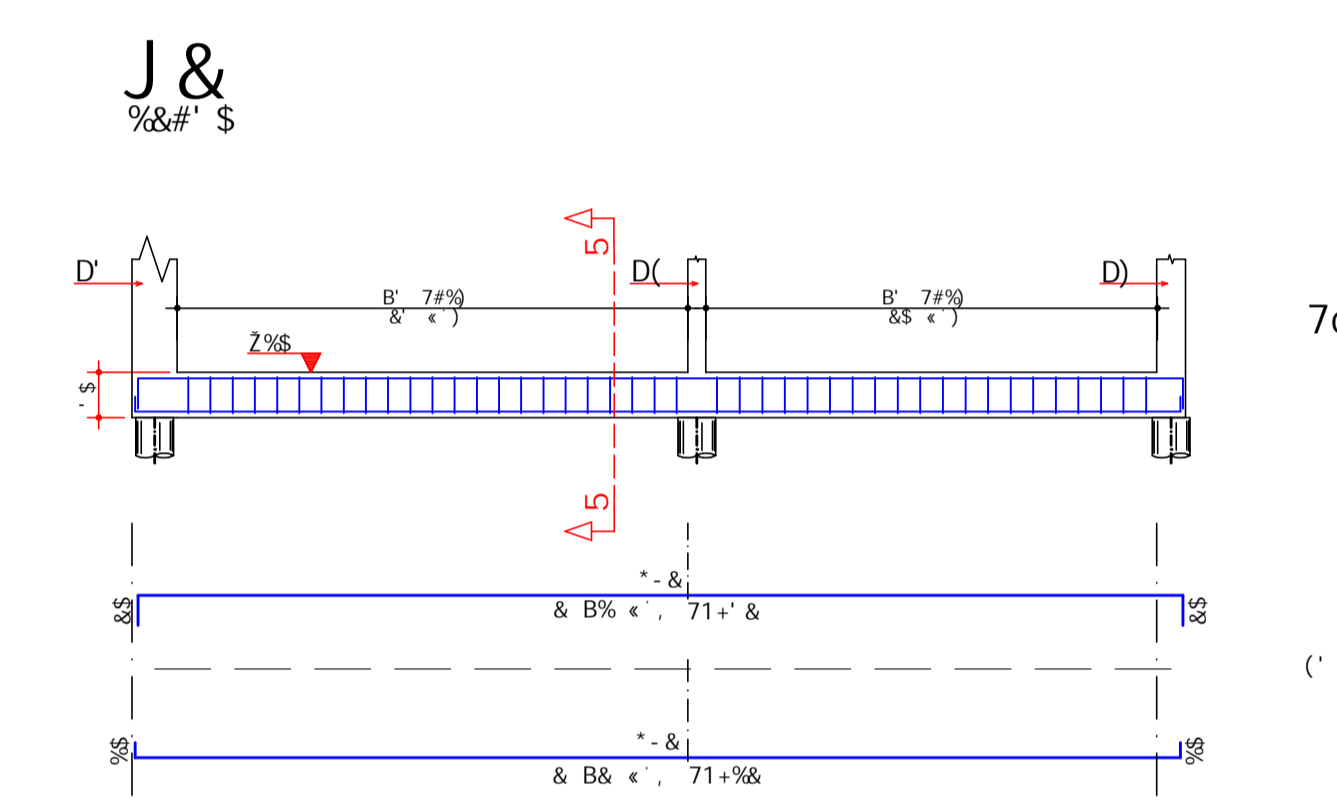
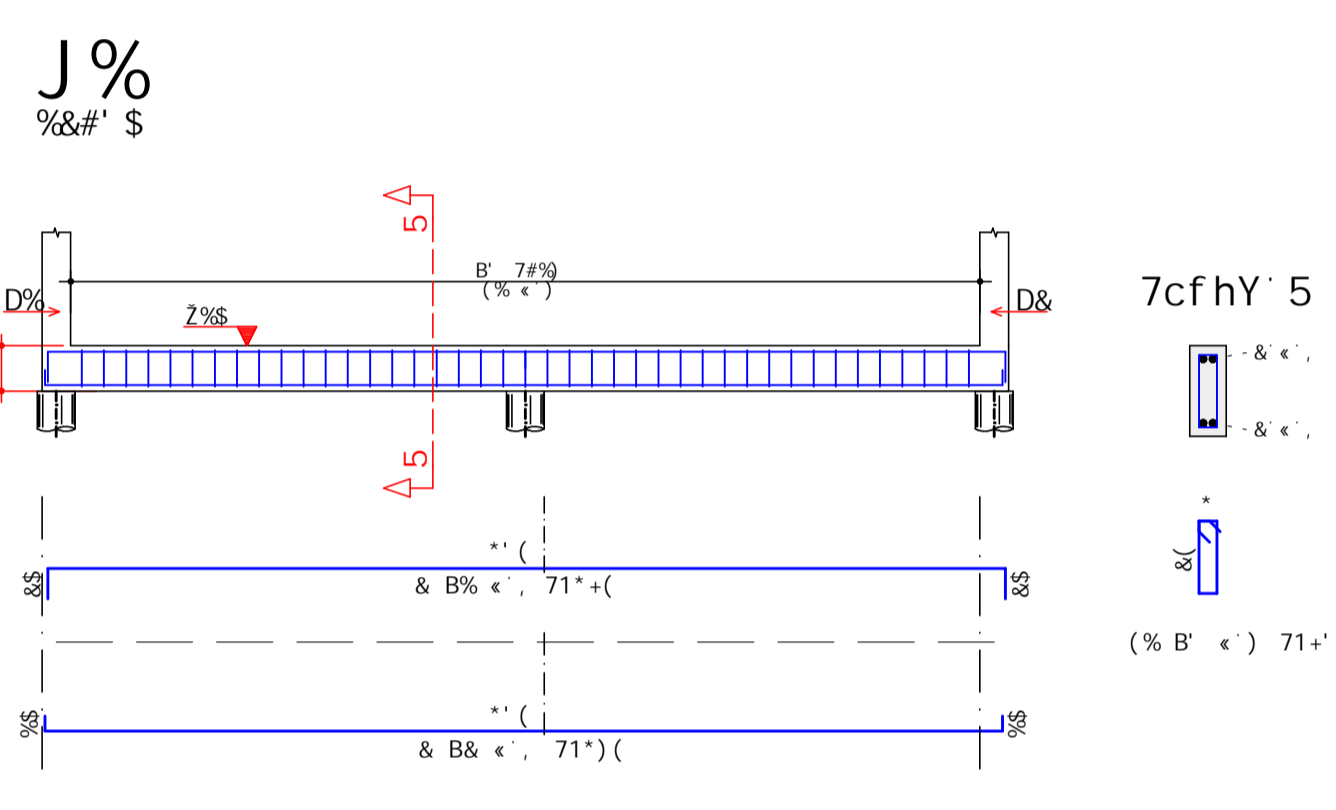


89H5@<9 89' 9GH575' '\$'
9GH575' G9A D=@5F fil %L
G9A 9G75#5

| H569@5' 89' 5uC' 85G' 9GH575G | | | | |
|-------------------------------|-----|----------|--------|---------------------------------------|
| 5uC | DCG | 6=H flat | EI 5BH | 7CADF=A9BHC I B=H HCH5@ flwL |
| 9GH575 \$% m1L | | | | |
| 9GH575 \$& m1L | | | | |
| 9GH575 \$' m1L | | | | |

| F9GI AC 89' 5uC | | | |
|-----------------|----------|------------|-----------|
| 5uC | 6=H flat | 7CADF flat | D9GC fl L |
| DYgc HchU | \$5 1 | % 2 \$ | |
| DYgc HchU | \$5 1 | ** 2 \$ | |

| | 5uC | DCG | 6=H flat | EI 5BH | 7CADF=A9BHC I B=H HCH5@ flwL |
|----|-----|-----|----------|--------|---------------------------------------|
| J% | \$5 | \$5 | \$5 | \$5 | \$5 |
| J& | \$5 | \$5 | \$5 | \$5 | \$5 |
| J' | \$5 | \$5 | \$5 | \$5 | \$5 |
| J(| \$5 | \$5 | \$5 | \$5 | \$5 |
| J) | \$5 | \$5 | \$5 | \$5 | \$5 |
| J* | \$5 | \$5 | \$5 | \$5 | \$5 |
| J+ | \$5 | \$5 | \$5 | \$5 | \$5 |
| J, | \$5 | \$5 | \$5 | \$5 | \$5 |
| J- | \$5 | \$5 | \$5 | \$5 | \$5 |



| F9J=GEC | | | |
|---------|-------------|-------------------|-----------|
| F9J | 85H5 | 89G7F=uEC | 9A=GGCF |
| F\$S | \$(#) #88&S | 9A=GEC =B=7=5@ | B9HC @9EC |
| F\$% | %(#). #88&S | F9J=GEC ; 9F5@ = | B9HC @9EC |
| F\$%2 | &# #88&S | F9J=GEC ; 9F5@ =Z | B9HC @9EC |

5FEI=J C B=H5R H9FS=FSS(\$H=S9GHSD6SDS) SF\$%Z
I GC 9L7@ G=J C 85' DF 9' 9=H F 5.

C6F5.
H9F79=F5' =8589' F9G=89B7=5@
7C<5D5F' =F5H= ' = ! ' && ' 9H5D5
9K5@8C' 7CF89=FC

7CBH9I 8C.
E
9GH

DF5B7<5 B.
\$'
\$ +

99C9B1 C@I =A9BHC DFC-*.
B9HC @9EC

5GGI BHC.
DFC-*. 9GHFI HI F5@ 1' 6aG=7C

9G75#5.
(%)

7CBH9I 8C.
AD= (\$ ' H=
5FA5uEC 89 9GH575G
5FA5uEC 85G 65#BF5A9G QJ # r J-Q

9G75#5.
(%)

TERCASA
CONSTRUTORA